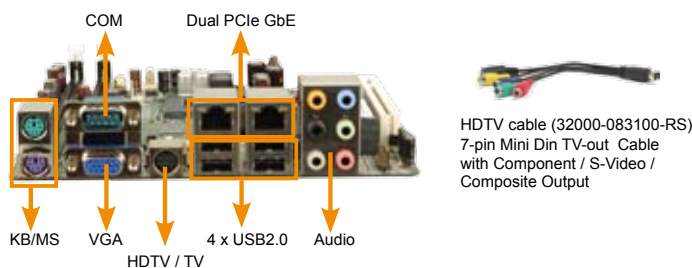
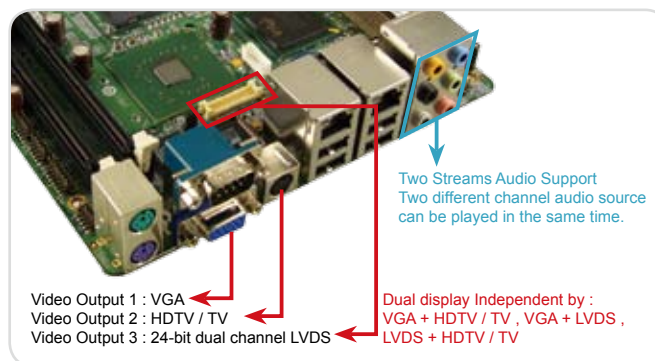
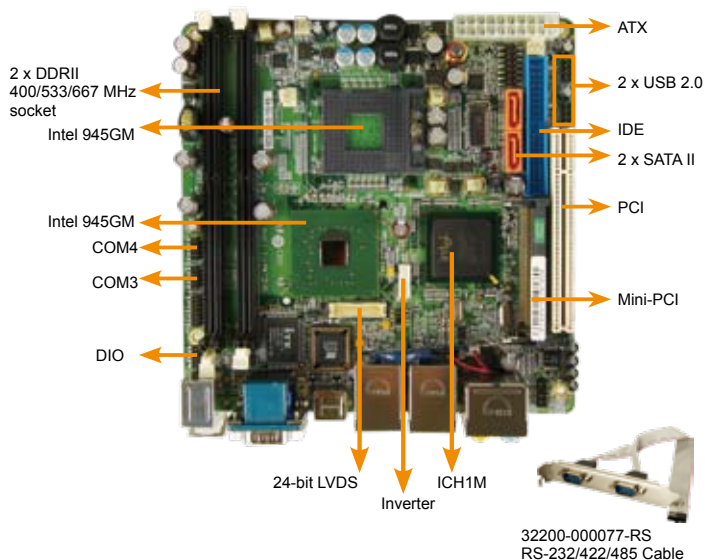


KINO-9455

Mini-ITX Motherboard with Intel® Core™2 Duo, Core™ Duo/ Solo Processor, Dual PCIe GbE, HDTV output & Two independent Audio stream



Specifications

- ◆ CPU
Socket M Intel® Core™2 Duo, Core™ Duo/Solo with 667 MHz FSB, Intel® Celeron M 533MHz FSB (Yonah Core)
- ◆ System Chipset
Intel® 945GM + ICH7M
- ◆ BIOS
AMI BIOS Label
- ◆ System Memory
2x240-pin dual channel DDRII 400/533/667 MHz up to 4GB
- ◆ Ethernet
Dual PCIe BROADCOM BCM5787 M GbE chipsets with ASF2.0 remote control support
- ◆ I/O Interface
8 x USB 2.0
2 x SATA II
1 x IDE
3 x RS-232
1 x RS-232/422/485
2 x PS/2 for KB/MS
- ◆ Expansions
1 x Mini PCI Slot
1 x PCI
- ◆ Super I/O
ITE8712
- ◆ Digital I/O
8-bit digital I/O, 4-bit input/ 4-bit output
- ◆ HD Audio
Realtek ALC883 with 7.1 channel HD interface with 2 streams audio support
- ◆ Display Interfaces
MacroVision support / Overscaling / Component, S-Video and Composite output
Support HDTV resolution up to 1080i / 1080p by component interface
24-bit dual channel LVDS though SDVO by Chrontel CH7308A
- ◆ Watchdog Timer
Software programmable 1-255 sec. system reset
- ◆ Power Supply
ATX support
- ◆ Power Consumption
5V@1.58A, 12V@2.05A, 3.3V@3.12A, 5VSB@0.32A
(Intel® Core Duo 2.16GHz, DDRII 1GB x 2)
- ◆ Temperature
Operation: 0°C ~ 60°C (32° F ~ 140° F)
- ◆ Humidity
Operation: 5% ~ 95% non-condensing
- ◆ Dimensions
170 mm x 170 mm
- ◆ Weight
GW: 1100 g; NW: 400 g



Features

1. Support Intel® Core™2 Duo, Core™ Duo Solo processor up to FSB 667MHz
2. VGA integrated in Intel® 945GM support HDTV-Out, 24-bit dual channel LVDS
3. DDRII 400/533/667MHz DIMM socket support up to 4GB
4. Dual PCIe BROADCOM BCM5787M GbE chipsets

Packing List

1 x KINO-9455 Single Board Computer
1 x Dual RS-232 Cable (P/N: 32200-028401-RS)
1 x IDE Cable (P/N: 32200-008800-RS)
1 x SATA Power Cable (P/N: 32100-088600-RS)
2 x SATA Cable (P/N: 32000-062800-RS)
1 x I/O Shielding (P/N: 45002-4520C0-00-RS)
1 x Mini Jumper Pack
1 x Utility CD
1 x QIG (Quick Installation Guide)
1 x HDTV Cable (P/N:32000-083100-RS)

Ordering Information

Part No.	Description
KINO-9455-R10	Mini-ITX Motherboard with Intel Core2 Duo Processor, 24-bit dual channel LVDS, SATA II, Dual PCIe GbE, USB 2.0 & Audio
32200-000077-RS	RS-232/422/485 Cable
CB-USB02-RS	USB Cable
CF-479B-RS	CPU Cooler (50mm x 50mm x 26mm, 50W)