



# TC-300R8A

## PS2 Mini Redundant Power Supply



### Features

- 300+300 watts total output power
- Over Power Protection
- Over Voltage Protection
- Short Circuits Protection
- Hot-Swappable PSU Zero down time
- Load Sharing design for smart stress and heat distribution Patent no. 136053
- 16ms Hold Up Time



### Introduction

Introduce the true dual AC input Mini Redundant Power Supply. The TC-300R8A has full redundancy function even with only one AC source. It has standard PFC, hot swappable power modules and load sharing capability. High performance cooling system with 4 fans and air cell vent.

### Electrical Specifications

#### Specification

Model	TC-300R8A
Form Factor	EPS 12V
Input Voltage	90~132V/ 180~264V Auto Select
Input Frequency	47Hz~63Hz

#### Output Rating

Total Watts	300 watts
+5V	30A
+12V	15A
+3.3V	24A
+5V & +3.3V	150 watts
+5V & +3.3V & +12V	275 watts
PFC	Passive
Efficiency	≥70%
Regulation	±5%

- Operation Temperature: 0°C to 50°C
- Humidity: 5 to 90% non-condensing.
- Specification and wiring diagram subject to change without notice.

#### Connectors

Cable Length	19 in
Main connector	20+4 Pins
4 pin 12V	1
8 pin connector	1
4 pin Peripheral connector	7
4 pin Floppy connector	1

#### Dimension

DxWxH(mm)	200x150x86
Net Weight	8.4 lb
Safety/EMI/RFI	FCC-B, UL1950/6950 CB, TUV EN 60950 IEC950/1000 EN55022 CISPR 22 EN61000 ISO9001
MTBF	100,000 hours at full load and 25°C ambient temperature

# TC-300R8A

PS2 Mini Redundant Power Supply

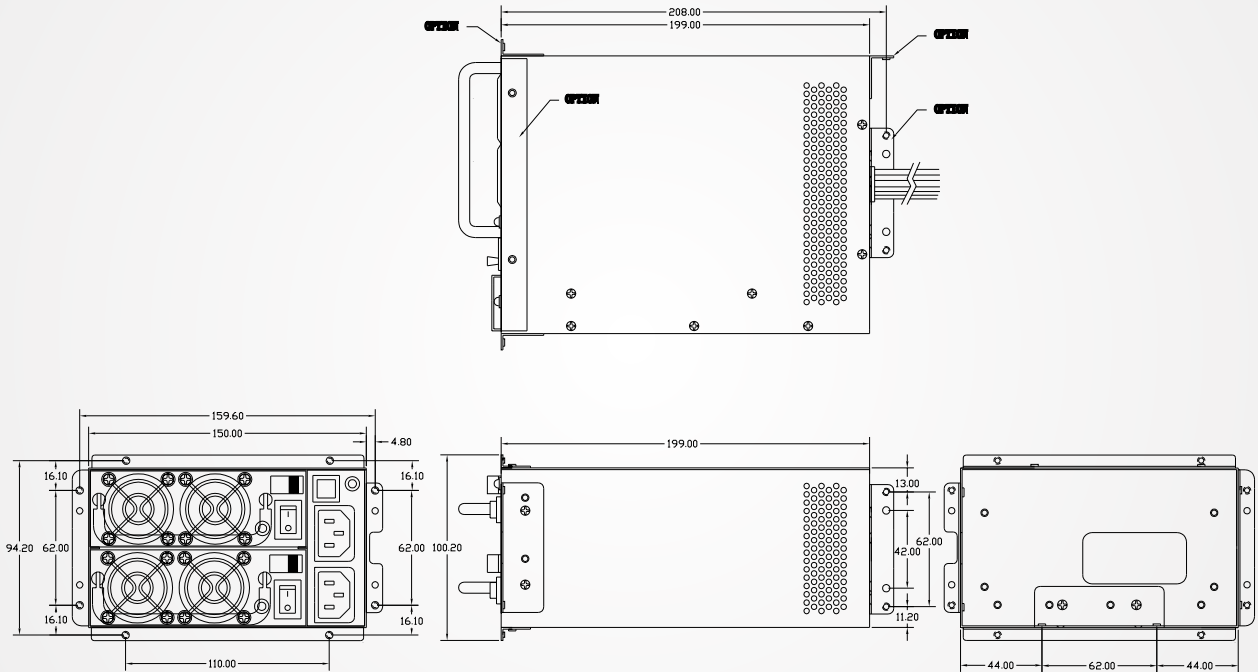
Application ▶

SERVER

STORAGE

WORKSTATION

## • Mechanical Drawing •



## • Pinouts Of Connectors •

