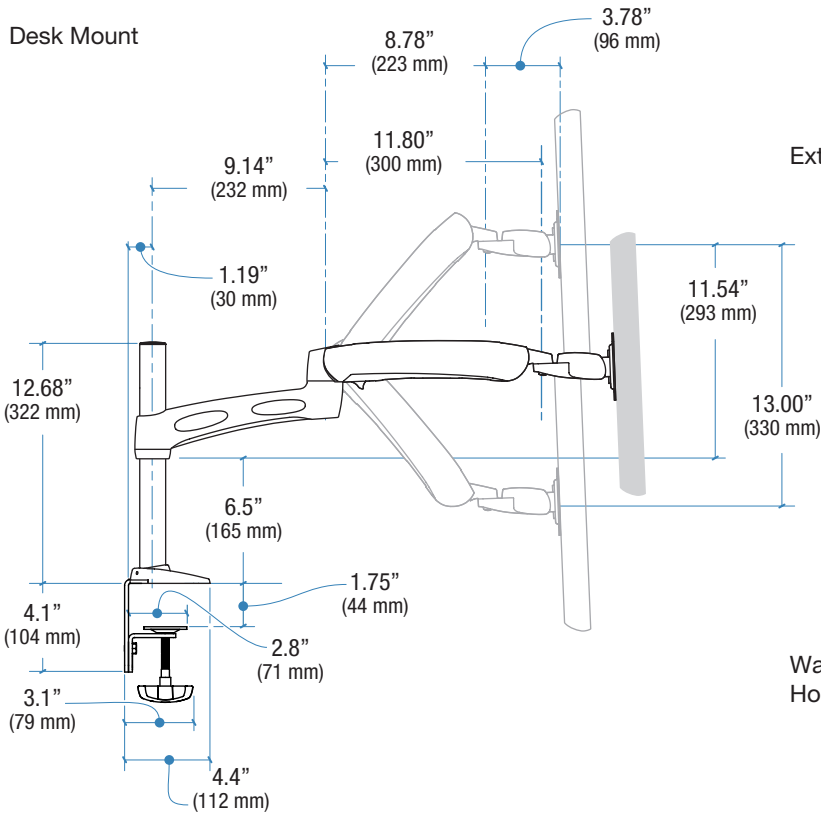
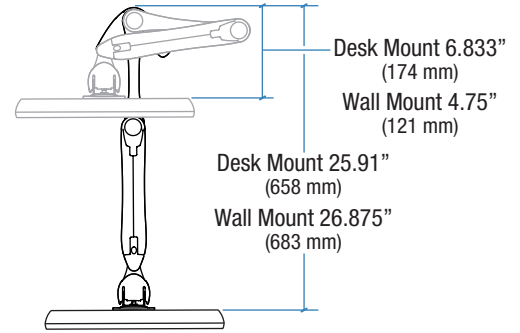


Ergotron® LX

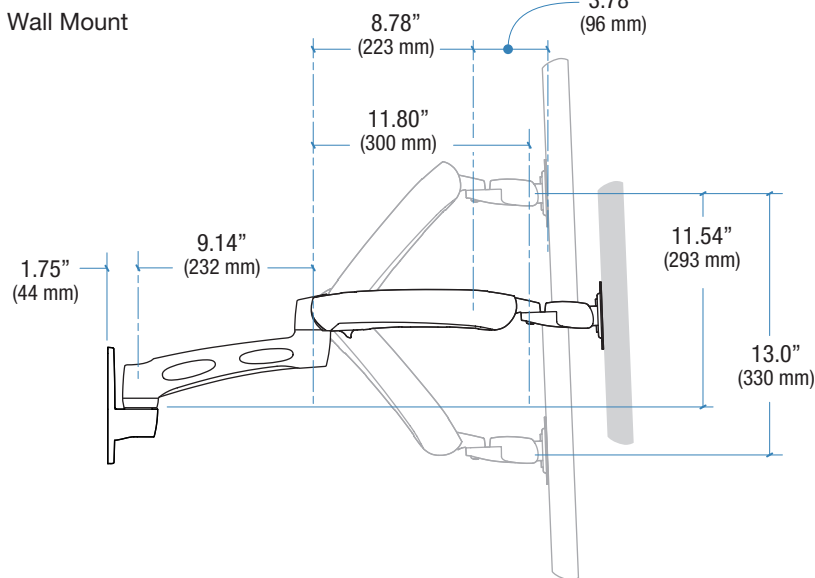
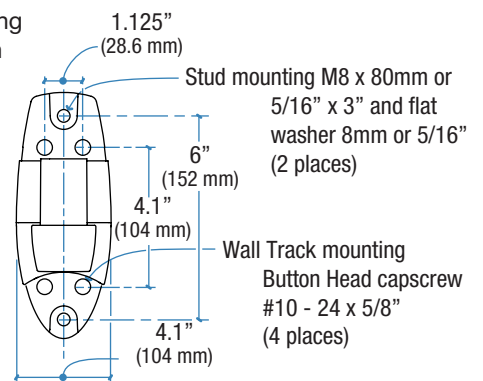
Desk and Wall Mount Arm



Extend/Retract



Wall Mounting Hole Pattern



Monitor depth greater than 2" (5 cm) may diminish capacity.

Maximum Display Thickness	Maximum Display Weight
2" (51 mm)	20 lbs (9.1 kg)
2-1/2" (64 mm)	15 lbs (7.0 kg)
3" (76 mm)	13 lbs (5.8 kg)
3-1/2" (90 mm)	11 lbs (5.0 kg)
4" (102 mm)	10 lbs (4.5 kg)

© 2007 Ergotron, Inc. rev. 05/25/2007 DIM-056 Content is subject to change without notification

Americas Sales and Corporate Headquarters

St. Paul, MN USA
 (800) 888-8458
 +1-651-681-7600
 www.ergotron.com
 sales@ergotron.com

EMEA Sales

Amersfoort, The Netherlands
 +31 33 45 45 600
 www.ergotron.com
 info.eu@ergotron.com

APAC Sales

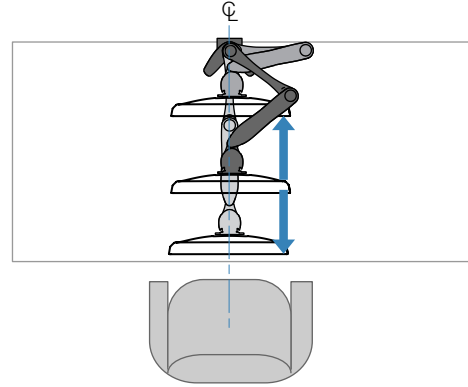
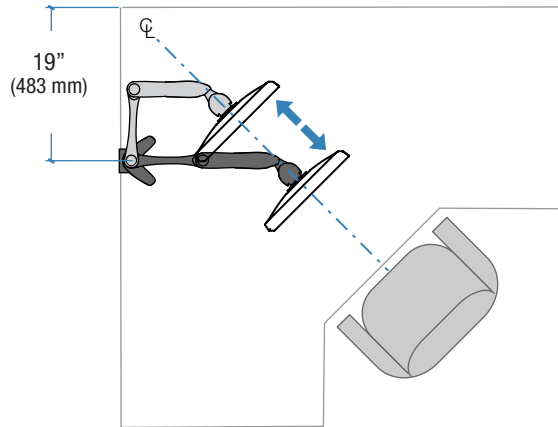
Singapore
 www.ergotron.com
 info.apac@ergotron.com

Worldwide OEM Sales

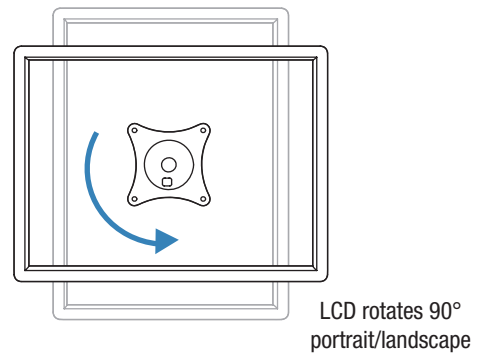
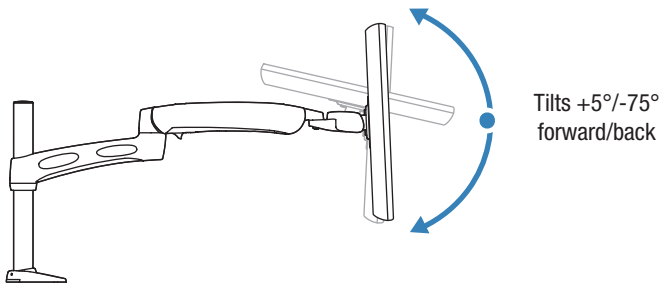
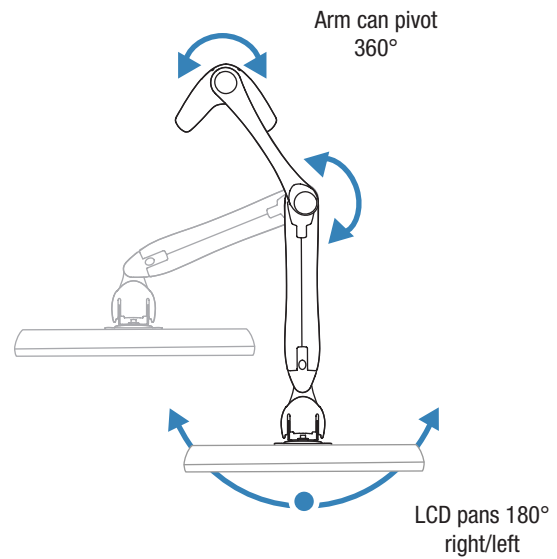
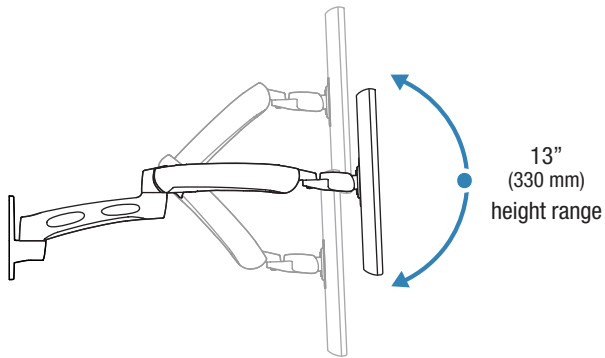
www.ergotron.com
 info.oem@ergotron.com



Desk Positioning



Range of Motion



© 2007 Ergotron, Inc. rev. 05/25/2007 DIM-056 Content is subject to change without notification

Americas Sales and Corporate Headquarters

St. Paul, MN USA
(800) 888-8458
+1-651-681-7600
www.ergotron.com
sales@ergotron.com

EMEA Sales

Amersfoort, The Netherlands
+31 33 45 45 600
www.ergotron.com
info.eu@ergotron.com

APAC Sales

Singapore
www.ergotron.com
info.apac@ergotron.com

Worldwide OEM Sales

www.ergotron.com
info.oem@ergotron.com

