

M133TG

Intel® Core™ i5- 1135G7 Industrial Ultra Rugged Tablet



KEY FEATURES

- 13.3" 1920 x 1080 IPS wide viewing angle LED panel
- Intel® Core™ i5-1135G7 Tiger Lake processor
- Removeable kickstand usable as carrying handle
- Magnesium alloy housing with allaround elastomeric rubber
- IP65 waterproof and dustproof
- Fanless cooling system



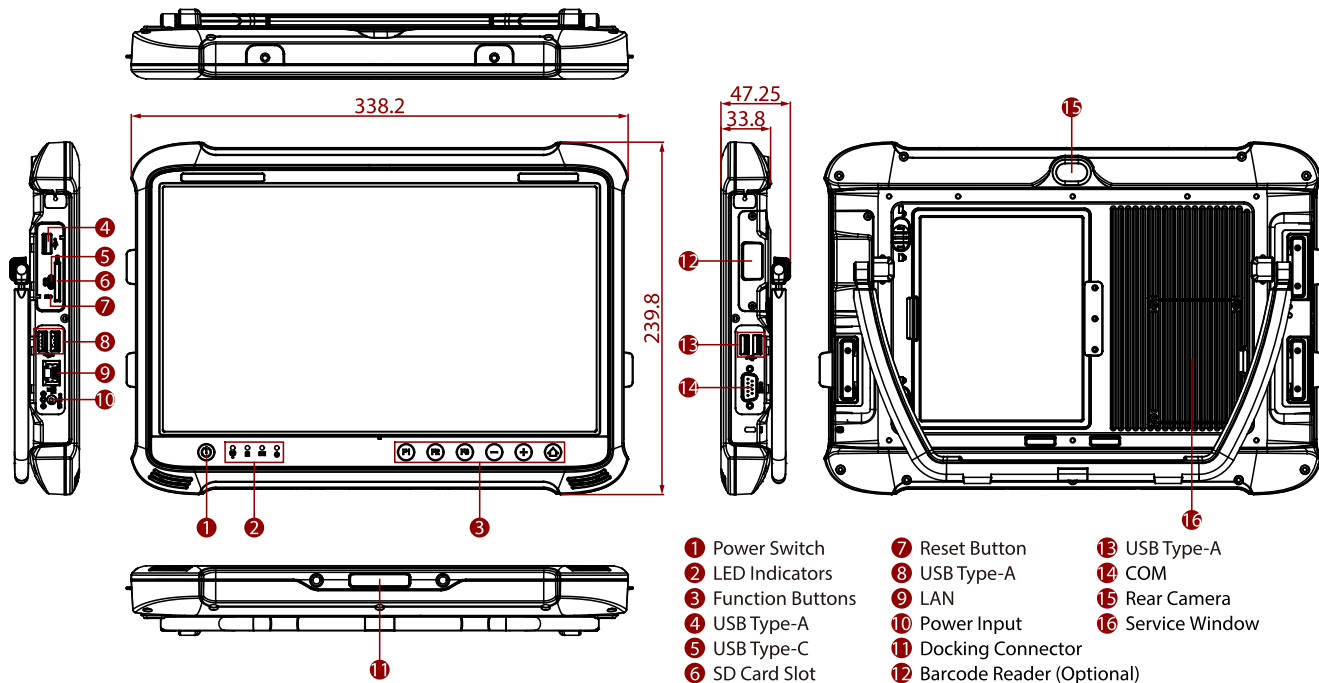
SPECIFICATIONS

Display	
Resolution	1920x1080
Contrast Ratio	1000:1
View Angles	89, 89, 89, 89
Bonding	Optical Bonding for Sunlight Viewability
Size	13.3 inches
Panel Brightness	500.0 nits
Type	Projected Capacitive Multi Touch
System Specification	
Processor	Intel Core i5-1135G7 2.4GHz (up to 4.2GHz)
Memory	4GB DDR4 SDRAM 8GB DDR4 SDRAM (Optional) 16GB DDR4 SDRAM (Optional) 32GB DDR4 SDRAM (Optional)
Storage	128GB SSD Additional storage available with micro SDXC card slot 256GB SSD (Optional) 512GB SSD (Optional) 1TB SSD (Optional) 2TB SSD (Optional)
Security	Trusted Platform Module (TPM) 2.0 Kensington Lock
Operating System	Windows 10 IoT Enterprise LTSC (64 bit) Windows 11 IoT Enterprise SAC (64 bit) (Optional)
WLAN	Support
BT	Support
WWAN	4G LTE (Optional)
GNSS	GPS/GLONASS
RFID	HF RFID reader 13.56 MHz (Optional)
Mechanical	
Dimension	338.2 x 239.8 x 33.8 mm
Weight	2.4 Kg (Without Kickstand), 2.5 Kg (With Kickstand)
Cooling System	Fanless thermal design
IO Ports	
USB Port	3 x USB 3.0 Type A, 2 x USB 2.0 Type A, 1 x USB 3.0 Type C
Serial Port	1 x RS232 (DB9)
SD Card Slot	1 x SDXC Slot
Audio	2 x 1 watt speaker
LAN	1 x RJ45-10/100/1000 Mbps LAN
Indicator	4x LED Indicator for Power, Battery, SSD, RF status
Docking Connector	1 x Docking connector
Environment	
Operating Humidity	30% to 80% RH, non-condensing
Operating	-10°C to 50°C (14°F to 122°F)

Storage Temperature	-20°C to 60°C (-4°F to 140°F)	Temperature	
Vibration	MIL-STD-810G Method 514.6 Procedure I	Shock	MIL-STD-810G Method 516.6 Procedure I
Drop	MIL-STD-810G Method 516.6, 4 ft	IP rating	IP65
		EMC	MIL-STD-461G CE101, CE102, RE101, RE102, CS118 (Default) MIL-STD-461G CS101, CS114, CS115, CS116, RS101, RS103 (Optional)

Certification			
Certification	CE, FCC		
Security Function			
Kensington Lock	Kensington Lock Support		
Control			
Button	1 x Power, 1 x menu, 2 x volume key 3 x Programmable Function Keys		
Camera			
Rear Camera	8MP Rear Camera with auto-focus and LED light		
Power			
Battery	15.4V, typ. 5900 mAh Li-Polymer Battery (4S1P) Hot-Swap (Optional)	Battery Operating Time	More than 10 hours (BAPCo TabletMark v3)
Power Rating	19V DC	Adapter	100-240V, 50-60Hz / 19V DC
Accessory			
Accessory	Adapter and Power Cord Standard Battery Stand with Integrated Handle	Optional Accessory	Vehicle Charger (Optional) Battery Charger (Optional) Desk Docking (Optional)
Barcode Scanner			
Barcode Scanner	1D/2D barcode reader (Optional)		

DIMENSIONS UNIT:MM



NOTE

1. This is a simplified drawing and some components are not marked in detail.
2. Please contact our sales representative if you need further product information.
3. All specifications are subject to change without prior notice.
4. The product shown in this datasheet is a standard model. For diagrams that contain customized or optional I/O, please contact the Winmate Sales Team for more information.