

# UTC-115

## 15.6" Ubiquitous Touch Computer UTC-115G with Intel® Pentium® N4200



### Features

- Slimmer and Lighter design
- Low power and fanless system design
- Built-in Intel Pentium® N4200
- 15.6" monitor with 16:9 widescreen display
- IP65-rated front panel for water and dust resistance
- Clean back cover design with 3 Way IO cable routing
- Supports both landscape and portrait screen orientations
- VESA 100 mm standard mounting holes for varied mounting demands
- PoE supported on Pentium® N4200 platform



### Introduction

UTC-115 features an all-in-one computing system which equipped with wide format, touch based LCD panel. It is easy to integrate key peripherals and display systems for diversified self-service and interactive signage deploy in different application areas.

Thanks for the slim and light looking with 3 way cable routing design, makes UTC-115 good fit to diverse scenarios and areas.

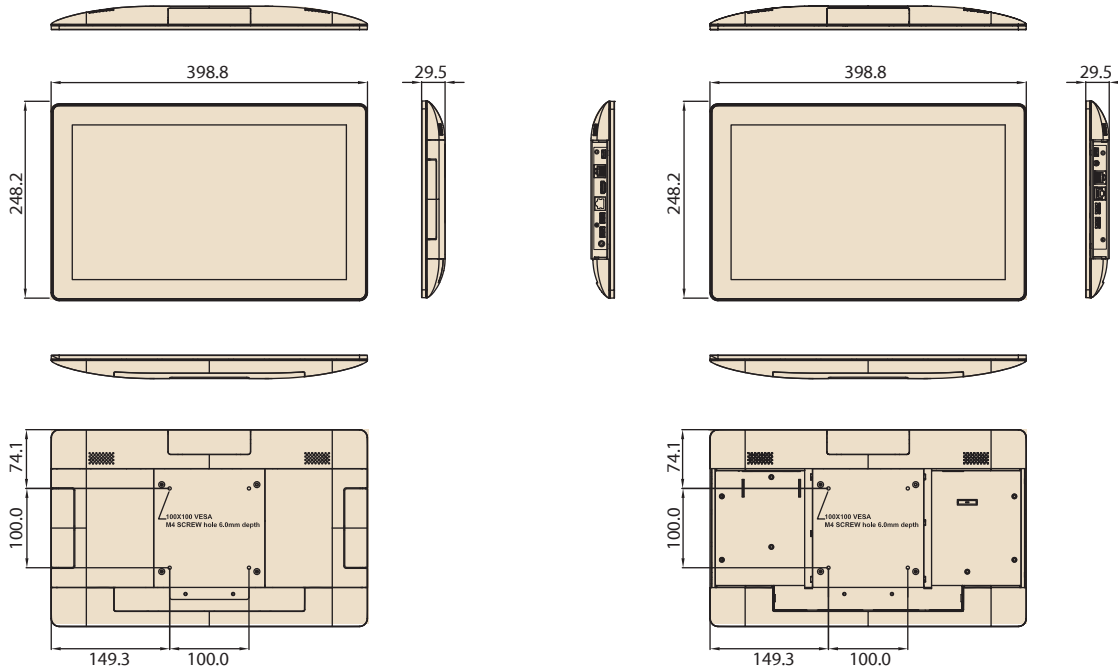
The systems deliver updated information with well-designed interactive interfaces, with fully ensure relevant content and targeted promotions are delivered. UTC series touch panel computers are the best investments to enhance user satisfaction, further brand equity, and maximize business profits.

### Specifications

Process system	CPU	Intel® Pentium® N4200 (UTC-115G)	
	Base Frequency	1.10 GHz (Quad-Core)	
	Memory	1 x 204 pin SO-DIMM DDR3L 1600 MHz up to 8 GB	
	Storage	1 x M.2 2242 SSD / 1 x 2.5 internal SATA storage	
	Network	2 x Gigabit Ethernet ports (Supports Wake on LAN)	
	I/O Ports	2 x RS-232 COM (COM2 RS-232/422/485)	
		4 x USB3.0 / 2 x USB3.0 (optional)	
		2 x Gigabit Ethernet ports (1 with PoE)	
		1 x HDMI 1.4	
	1 x Audio Phone Jack		
Stereo Speaker	2 x 2W		
Bus expansion	1 x M.2 key2230, 1 x M.2 key2242		
Mounting	VESA 100 x 100 mm (Screw Size, M4, 6mm)		
Dimension (WxHxD)	398.8 x 248.2 x 29.5		
Weight	2.4 Kg		
OS Support	Win 10 IoT Enterprise 64bit		
	Android 8.1		
	Linux Ubuntu 18.04		
Environment Specification	Operating temperature	0 ~ 40 °C (32 ~ 104 °F)*	
	Relative Humidity	10 ~ 95% @ 40 °C non-condensing	
	Vibration	0.5G	
	Shock	10G peak acceleration (11 msec. duration)	
	Certification	CE, FCC, CB, UL, CCC, BSMI	
	Front Panel Protection	IP 65 Compliant	
Power Supply	DC Input Rating	12V/5A~24V/2.5A, 60W ITE Adapter	
	PoE	IEEE 802.3at/30W (Optional)	
	Power consumption	TBC	
LCD Display	Size/Type	15.6" HD	15.6" FHD (Option)
	Max.Resolution	1366 x 768	1920 x 1080
	Max. Color	262K	262K
	Pixel Pitch (um)	252(H) x 252(V)	179(H) x 179(V)
	Brightness (cd/m2)	220	300
	View Angle	90°/50°	170°/170°
Touch Screen Option (PE/GE)	Type	Projected Capacitive.	
	Light Transmission	80% ± 5% / 90%	
	Controller	USB Interface	

## Dimensions

Unit: mm



Suggest M4\*7 screw for VESA

## Ordering Information

### For Worldwide Model

Part No.	Descriptions
UTC-115GP-WWW0E	15.6" HD, Pcap, N4200, 4G RAM, 128G SSD, Win10, Silver
UTC-115GP-WWW1E	15.6" HD, Pcap, N4200, 4G RAM, 128G SSD, Win10, Wifi/BT, Silver
UTC-115GP-NWW0E	15.6" HD, Pcap, N4200, 4G RAM, 128G SSD, Silver
UTC-115GP-WWW1F	15.6" FHD, Pcap, N4200, 4G RAM, 128G SSD, Win10, Wifi/BT, Silver
UTC-115GP-AWW1F	15.6" FHD, Pcap, N4200, 4G RAM, 128G SSD, Android, Wifi/BT, Silver

### For US only Model

Part No.	Descriptions
UTC-115GP-WUS1F	15.6" FHD, Pcap, N4200, 4G RAM, 128G SSD, Win10, Wifi/BT, Power cord, Silver
UTC-115GP-NUS1F	15.6" FHD, Pcap, N4200, 4G RAM, 128G SSD, Wifi/BT, Power cord, Silver

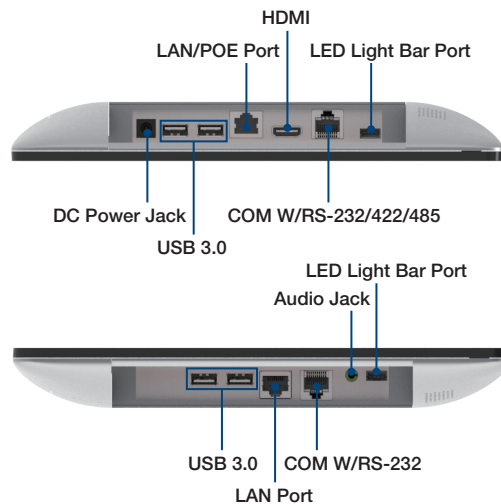
### For CN only Model

Part No.	Descriptions
UTC-115GP-WCN1E	15.6" HD, Pcap, N4200, 4G RAM, 128G SSD, Win10, Wifi/BT, Silver
UTC-115GP-NCN0E	15.6" HD, Pcap, N4200, 4G RAM, 128G SSD, Silver

### For EU only Model

Part No.	Descriptions
UTC-115GP-WWW1F	15.6" FHD, Pcap, N4200, 4G RAM, 128G SSD, Win10
UTC-115GP-AWW1F	15.6" FHD, Pcap, N4200, 4G RAM, 128G SSD, Android, Wifi/BT, Silver

## Fully- Integrated I/O



### Extra ordering information

Part No.	Descriptions
1702002605	Power cord 2P FRANCE 10A/16A 220V 1.83M 90D
1702002600	Power Cord 3P UL/CSA(USA) 125V 10A 1.83M 180D
1700000596-11	Power Cord (China) CCC,10A 250V, 3P 1830mm
1700018704	Power Cord UK BSI 2P 10A 250V 180cm 18AWG
1700025928-01	COM Port Converter cable RJ48-10P10C to D-SUB 9P 35cm
UTC-WALL-MOUNT3E	UTC-515/520 VESA mount (100x100/75x75)
UTC-T01-STANDE	UTC-515/520 Tri Shape Floor Stand 120 cm
UTC-S01-STAND	UTC-S01 100X100 / 75X75 mm Desk Stand
UTC-300P-D20E	Desk Stand, Silver, for UTC-318/320