

Vehicle Dock

Model Name: VD-M133WK

Part Number: 98DT00A00025



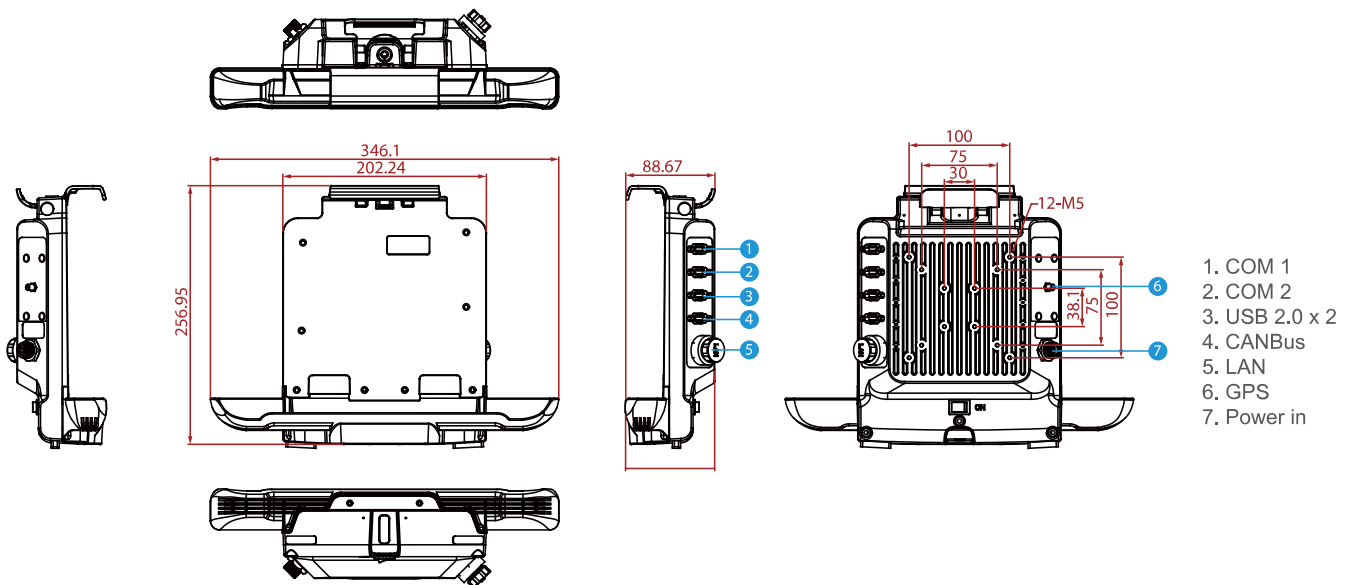
KEY FEATURES

- VESA Mounting support
- Keeps the tablet securely fastened on moving vehicles
- Easy insert and release with Key-Lock
- Wide power voltage input (10~60V DC-in)

SPECIFICATIONS

- **Dimension** 345.1 x 256.95 x 88.67 mm
- **Power Input** 10-60V DC-in
- **Mounting** 75 x 75, 100 x 100 mm
- **IO Ports** 1 x COM 1 (D-Sub 9) 1 x COM 2 (D-Sub 9)
2 x USB 2.0 (D-Sub 9) 1 x CANBus (D-Sub 9) 1 x LAN (RJ-45) 1 x GPS (SMA)
- **Vibration** MIL-STD-810G Method 514.6 Procedure I
- **Shock** MIL-STD-810G Method 514.6 Procedure I

DIMENSIONS UNIT:MM



NOTE

1. Specifications subject to change without notice.
2. For customized or optional input/output configurations, please contact the Winmate.
3. The drawing provided is a simplified representation, some components not marked.
4. For more information, refer to the user manual or contact technical support.