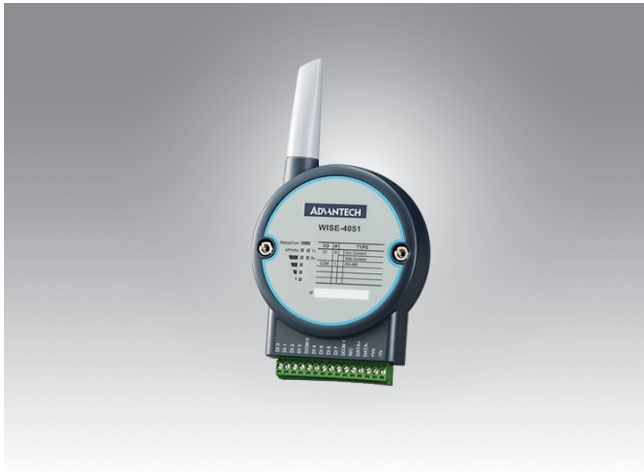


# WISE-4051

## 8-ch Digital Input IoT Wireless I/O Module with RS-485 Port



CE FC R&TTE SRRC

### Introduction

The WISE-4051 is an Ethernet-based wireless IoT device, integrated with IoT data acquisition, processing, and publishing functions. As well as various I/O types, the WISE-4051 provides data pre-scaling, data logic, and data logger functions. Data can be accessed via mobile devices and be securely published to the cloud anytime from anywhere.

### Features

#### IEEE 802.11 b/g/n 2.4GHz Wi-Fi with AP Mode

The Wi-Fi interface is easily integrated with wired or wireless Ethernet devices, users only need to add a wireless router or AP to extend existing Ethernet network to wireless. The limited AP mode enables the WISE-4000 to be accessed via other Wi-Fi devices directly as an AP.



#### Modbus/RTU to Web Service or Modbus/TCP

The RS-485 port of the WISE-4051 supports Modbus, which can be used to poll the data from Modbus/RTU devices, like ADAM-4000, or ADAM-5000/485. Then you can access the data by Modbus or REST from the WISE-4051. The data can also be logged.



### Features

- 8-ch digital input with 1-port RS-485 for Modbus devices
- 2.4GHz Wi-Fi reducing the wiring cost during big data acquisition
- Easily extend the existing network by adding APs, and share existing Ethernet software
- Configured by mobile devices directly without installing any software or Apps
- Zero data loss using the log function with RTC time stamp
- Data can be automatically pushed to Dropbox or computer
- Supports RESTful web API in JSON format for IoT integration

#### RESTful Web Service with Security Socket

As well as supporting Modbus/TCP, the WISE-4051 series also supports IoT communication protocol, RESTful web service. Data can be polled or even be pushed automatically from the WISE-4051 when the I/O status is changed. The I/O status can be retrieved over the web using JSON. The WISE-4051 also supports HTTPS which has security that can be used in a Wide Area Network (WAN).



#### Data Storage

The WISE-4000 can log up to 10,000 samples of data with a time stamp. The I/O data can be logged periodically, and also when the I/O status changes. Once the memory is full, users can choose to overwrite the old data to ring log or just stop the log function.



#### Cloud Storage

Data logger can push the data to file-based cloud services like Dropbox using pre-configured criteria. With RESTful API, the data can also be pushed to a private cloud server in the format of JSON. Users can setup their private cloud server using the provided RESTful API and their own platform.



# Specifications

### Digital Input

- Channels 8
- Logic Level Dry Contact 0: Open  
1: Close to DCOM
- Wet Contact 0: 0 ~ 3 V<sub>DC</sub>  
1: 10 ~ 30 V<sub>DC</sub> (3 mA min.)
- Isolation 3,000 V<sub>rms</sub>
- Supports 3 kHz Counter Input (32-bit + 1-bit overflow)
- Keep/Discard Counter Value when Power-off
- Supports 3 kHz Frequency Input
- Supports Inverted DI Status

### Serial Port

- Port Number 1
- Type RS-485
- Serial Signal DATA+, DATA-
- Data Bits 7, 8
- Stop Bits 1, 2
- Parity None, Odd, Even
- Baud Rate 1200, 2400, 4800, 9600, 19200, 38400, 57600, 115200 (bps)
- Protection 15 kV ESD
- Protocol Modbus/RTU (Total 32 address by max. 8 instructions)

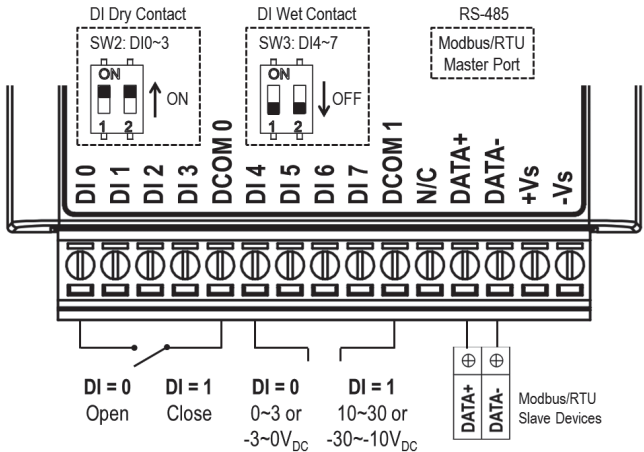
### General

- WLAN IEEE 802.11b/g/n 2.4GHz
- Outdoor Range 110 m with line of sight
- Connectors Plug-in screw terminal block (I/O and power)
- Watchdog Timer System (1.6 second) and Communication (programmable)
- Certification CE, FCC, R&TTE, NCC, SRRC, RoHS
- Dimensions (W x H x D) 80 x 148 x 25 mm
- Enclosure PC
- Mounting DIN 35 rail, wall, and stack
- Power Input 10 ~ 30 V<sub>DC</sub>
- Power Consumption 2.2 W @ 24 V<sub>DC</sub>
- Power Reversal Protection
- Supports User Defined Modbus Address
- Supports Data Log Function Up to 10000 samples with RTC time stamp
- Supported Protocols Modbus/TCP, TCP/IP, UDP, DHCP, and HTTP
- Supports RESTful Web API in JSON format
- Supports Web Server in HTML5 with JavaScript & CSS3
- Supports System Configuration Backup and User Access Control

### Environment

- Operating Temperature -25 ~ 70°C (-13~158°F)
- Storage Temperature -40 ~ 85°C (-40~185°F)
- Operating Humidity 20 ~ 95% RH (non-condensing)
- Storage Humidity 0 ~ 95% RH (non-condensing)

### Pin Assignment



### Ordering Information

- WISE-4051-AE 8-ch Digital Input IoT Wireless I/O Module with RS-485 Port

### Selection Table

Model Name	Universal Input	Digital Input	Digital Output	Relay Output	RS-485
WISE-4012	4		2		
WISE-4050		4	4		
WISE-4051		8			1
WISE-4060		4		4	

### Accessories

- PWR-242-AE DIN-rail Power Supply (2.1A Output Current)
- PWR-243-AE Panel Mount Power Supply (3A Output Current)
- PWR-244-AE Panel Mount Power Supply (4.2A Output Current)

### Dimensions

