

# GOT115-319

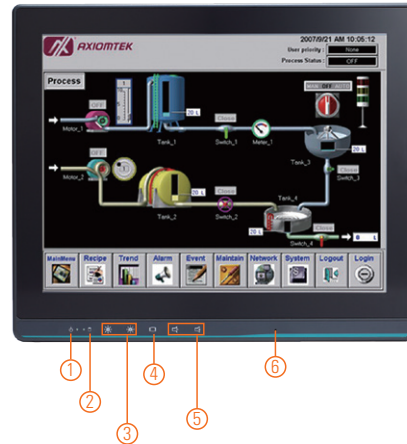
15" XGA TFT Fanless Touch Panel Computer with Intel® Celeron® Processor N3350 or Intel® Pentium® Processor N4200

## Features

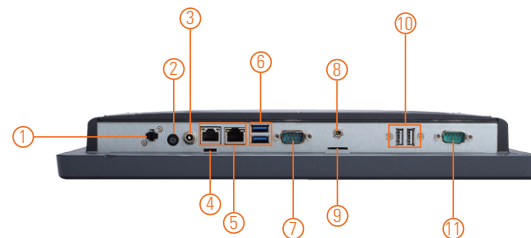
- 15" XGA TFT LCD display with LED backlight
- Fanless design with Intel® Celeron® processor N3350 or Intel® Pentium® processor N4200
- 2 GbE LAN, 4 USB and 2 COM
- IP65-rated plastic front bezel
- Supports RFID and wireless module (optional)
- External AT/ATX mode selection switch
- Easy access storage & RAM design
- Supports panel mount, wall mount, VESA arm and desktop stand
- RS-232/422/485 with RI/5V/12V selectable by BIOS
- Programmable OSD function key



▲ Rear view



1. Power LED
2. HDD LED
3. Brightness adjust +/-
4. Display on/off
5. Volume +/-
6. Microphone



1. Remote power switch
2. Power button
3. Screw connector for power input
4. AT/ATX switch
5. 2 x LAN
6. 2 x USB 3.0
7. 1 x RS-232/422/485
8. Line-out
9. Micro SD card slot
10. 2 x USB 2.0
11. 1 x RS-232

## Introduction

The GOT115-319 is a 15" XGA fanless touch panel computer. It adapts a modern, super sleek and fanless design and is equipped with Intel® Celeron® processor N3350 or Intel® Pentium® processor N4200. For wireless network connection, the GOT115-319 offers one PCI Express Mini Card slot and one M.2 Key E for wireless module. By just plugging in the WLAN card, customers can have instant access to wireless environment.

### Super Slim Design

With a thickness of 50 mm, the GOT115-319 is a super slim touch panel computer for space-limited environment.

### Support Front Membrane Keys

The GOT115-319 has 5 membrane keys on the front panel which allows users to adjust the LCD on/off, LCD brightness and volume setting easily

### Aluminum Back Chassis with Excellent Thermal Solution

With Axiomtek's patent for plastic plus aluminum mechanism design, the GOT115-319 can dissipate the heat easily and keep the system operation stable.

## Specifications

Front Bezel	IP65, NEMA 4 rugged protection, plastic front bezel
LCD Panel	Display Type 15" XGA TFT LCD with LED backlight
	Brightness (cd/m <sup>2</sup> ) 300 nits (XGA)
	Resolution 1024 x 768
	Viewing Angel (H/V) 160°/160°
Main System	CPU Intel® Celeron® processor N3350 2 cores (up to 2.4 GHz) Intel® Pentium® processor N4200 4 cores (up to 2.5 GHz)
	System Memory 1 x 204-pin DDR3L-1600 SO-DIMM, up to 8GB
	BIOS AMI UEFI BIOS
	Storage 1 x 2.5" SATA HDD (9.5 mm height) 1 x mSATA 1 x MicroSD card
	Watchdog Timer 255 levels, 0 to 255 sec.
	Onboard Graphics Integrated in Intel® GFX

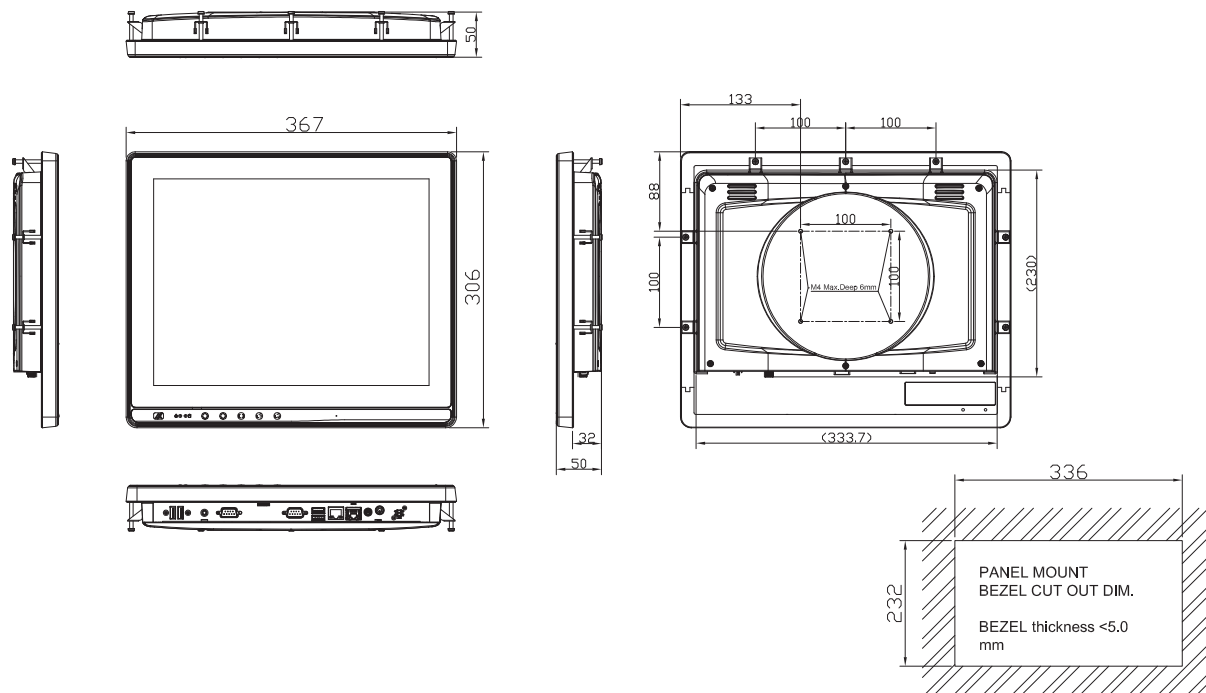
## Specifications

I/O Connector	1 x RS-232/422/485 (default RS-232) 1 x RS-232 2 x 10/100/1000 Mbps Ethernet 2 x USB 3.0 2 x USB 2.0 1 x Screw type connector for power 1 x Power button (ATX) 1 x Remote power switch 1 x Audio (Line-out) 1 x ATX/AT selectable switch
Expansion Interface	1 x M.2 Key E for wireless module 1 x Full-size PCI Express Mini Card slot
Touchscreen	Projected capacitive multi-touch 5-wire flat resistive touch
Power Supply	DC version: 9 to 24 VDC with adapter cable
Power Consumption	28.8W
Dimensions	329.69 mm (13") (W) x 50 mm (2") (D) x 306 mm (12") (H)
Packing Dimensions	510 mm (20.1") (W) x 190 mm (7.5") (D) x 540 mm (21.2") (H)
Weight (net/gross)	3.2 kg (7.1 lb)/4.8 kg (10.6 lb)
Operating Temperature	0°C to +50°C (+32°F to +122°F)
Relative Humidity	10% - 90% @ +40°C; non-condensing
Operation Vibration	2G, 5 - 500Hz, random for SSD
Certifications	CE

## Packing List

- 1 x GOT115-319
- 1 x DC cable
- 4 x M3 screws for SSD/HDD
- 1 x M3 screw for M.2 card slot
- 1 x M2 screw for mSATA card slot

## Dimensions



## Ordering Information

Standard	
GOT115-319-C-DC (P/N: E22B115100)	15" XGA fanless touch panel computer with Intel® Celeron® processor N3350 onboard, projected capacitive, EMI Class A, screw type connector with DC cable
GOT115-319-R-DC (P/N: E22B115101)	15" XGA fanless touch panel computer with Intel® Celeron® processor N3350 onboard, 5 wire resistive touch, EMI Class A, screw type connector with DC cable
GOT115-319-N4200-C-DC (P/N: E22B115102)	15" XGA fanless touch panel computer with Intel® Pentium® processor N4200 onboard, projected capacitive multi-touch, EMI Class A, screw type connector with DC cable
GOT115-319-N4200-R-DC (P/N: E22B115103)	15" XGA fanless touch panel computer with Intel® Pentium® processor N4200 onboard, 5 wire resistive touch, EMI Class A, screw type connector with DC cable

\* Other configuration by request

\* Specification and certifications may vary based on different requirements

## Optional Accessories

Wi-Fi + Bluetooth kit	
RFID kit	
8812B1150A0E	Panel mount kit
8812B1100A0E	Wall mount kit
50966124050E	Adapter 12V/60W
E226171119	Stand kit

## Optional OS Installation

Windows® 10